

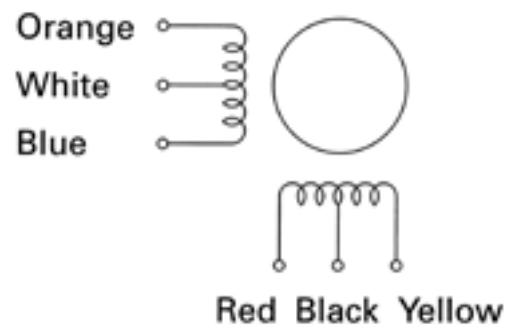
ACTIVE ROBOTS

Sanyo Denki Model 103H546-0440 Stepper Motor

Voltage (v)	Current (A/phase)	Resistance (Ω /phase)	Inductance (mH/phase)	Holding Torque N.m (lb.in)	Rotor Inertia ($\times 10^4$ Kg.m ²)	Step Angle	Mass (Kg)
3.15	1	3.15	2.8	0.147 (1.3)	0.03	1.8°	0.2



Internal wiring



Excitation	White & Black	Red	Blue	Yellow	Orange
1	+Ve	-Ve	-Ve		
2	+Ve		-Ve	-Ve	
3	+Ve			-Ve	-Ve
4	+Ve	-Ve			-Ve

Note: Clockwise Rotation (viewed shaft side) when excited in sequence 1-4

