



# AWM620RX-INV

## 2.4GHz Video/Audio RF Module

23-Oct-04 P1/4

### TECHNICAL SPECIFICATION

#### General:

Operation Frequency Range	2400 ~ 2483MHz
Channel Selection	PLL Synthesizer, 4ch. <sup>(1)</sup>
Video-Audio Modulation/Demodulation Type	FM-FM
Supply Voltage	DC + 5V
Supply Current	152mA ~ 163mA @-70dBm RF in

#### Receiver:

Input Signal Level Range	-85~-10dBm
Adjacent Channel Power Rejection	-20dBm, typ. ( $\pm 3$ dB)
<b>Video</b>	
Output Impedance	75 $\Omega$ , typ.
Output Signal Level	1V <sub>P-P</sub> , typ. ( $\pm 0.2$ Volt)
Frequency Response	$\pm 5$ dB, max. 50Hz~5.5MHz
Differential Gain	$\pm 5\%$ , max.
Differential Phase	$\pm 5$ Deg., max.
S/N Ratio (100KHz, 1V <sub>P-P</sub> Sine Wave)	45dB, min.
Video Polarity (Referred to pin12)	Internal Pull-High: Positive Pull-Low: Negative
<b>Audio</b>	
Output Impedance	600 $\Omega$ , typ.
Output Frequency Range	50Hz ~ 20KHz
Output Signal Level (Modulation Signal : 50Hz~15KHz Sine Wave)	3V <sub>P-P</sub> , typ. ( $\pm 0.2$ Volt)
Harmonic Distortion (THD) (50Hz~15KHz, 0.5V <sub>P-P</sub> Sine Wave )	1.5%, max.
S/N Ratio (50Hz ~ 15KHz)	50dB, typ. ( $\pm 3$ dB)
Subcarrier Frequency	6MHz, 6.5MHz
Subcarrier Frequency Accuracy	$\pm 50$ KHz
<b>RSSI</b>	
RSSI Output Voltage(RF Input -45~-85dBm)	1.5 ~ 3.3V

#### AIRWAVE TECHNOLOGIES INC.



AIRWAVE

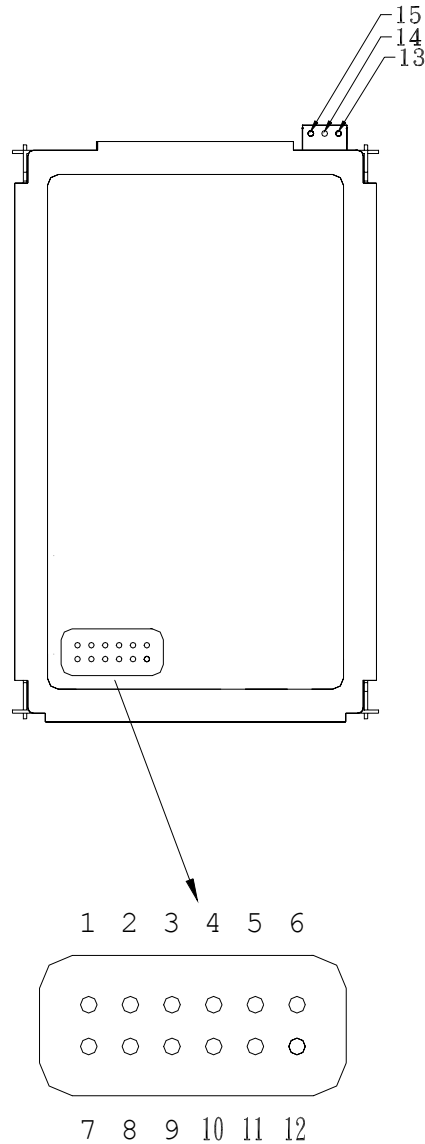
# AWM620RX-INV

2.4GHz Video/Audio RF Module

23-Oct-04 P2/4

## Pin Description

1	Video
2	5v
3	GND
4	Audio/R
5	Audio/L
6	(LE)
7	RSSI
8	CH1 (Data)
9	CH2
10	CH3
11	CH4 (CLK)
12	Video Control
13	GND
14	ANTENNA
15	GND



### AIRWAVE TECHNOLOGIES INC.



AIRWAVE

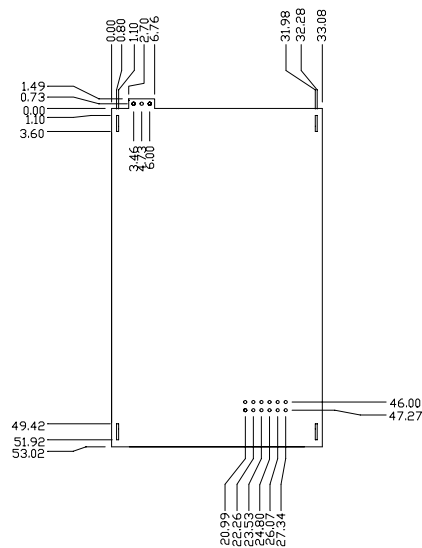
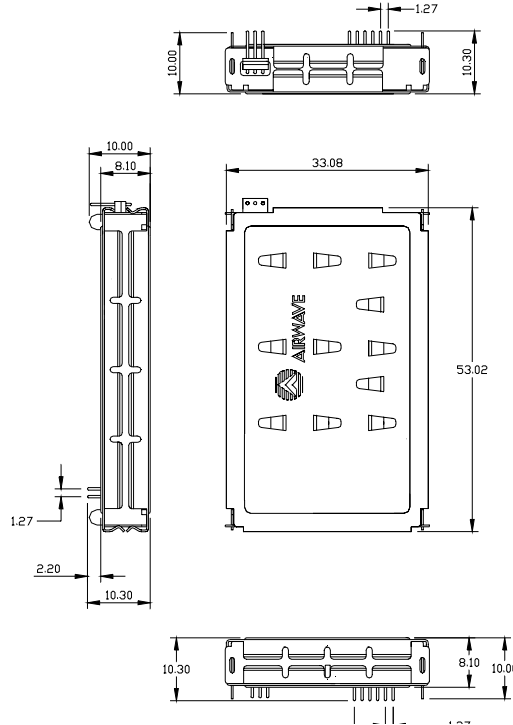
# AWM620RX-INV

2.4GHz Video/Audio RF Module

23-Oct-04 P3/4

## PHYSICAL DIMENTIONS

Unit: mm



## AIRWAVE TECHNOLOGIES INC.

### AWM620RX-INV Module Application Circuit

